

SKU 1398

PIA DESK LAMP



READY TO PURCHASE

Available in standard finishes as pictured.

Y●N○

BASE
Satin Brass

BULB TYPE
E27 60W Max

SHADE
Satin Brass

BULB INCLUDED Y○N●

VOLTAGE
240

SWITCH
Cordline On/Off Switch

CUSTOMISABLE

Y●N○

1. UPPER BASE*
Material / Finish Options

A. Satin Brass
B. Black
C. White
D. Bone

E. Navy Blue
F. Sage
G. Mustard
H. Charcoal Grey

2. LOWER BASE*
A. Marble
B. Powdercoated Steel

C. Terrazzo
D. Travertine

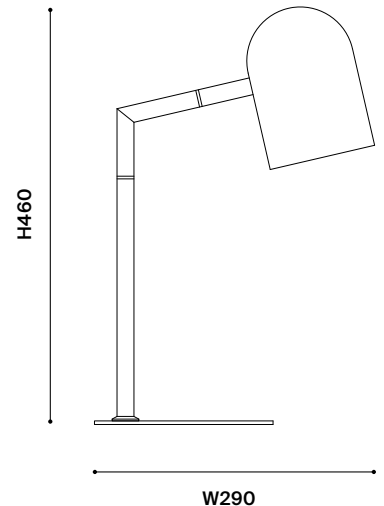


DIMENSIONS (MM)

OVERALL
L200 × W290 × H460

BASE
L200 X W200 X H400

SHADE
D120 × H170



CARE

Before cleaning, light fittings must be turned off and unplugged from power source. For lamp shades, dust with a dry, soft cloth. For lamp bases, use a lightly damp cloth and gently wipe marks until clean. Dry thoroughly before plugging back into power source.

WEIGHT
4KG

COMMERICAL WARRANTY
12 months

ASSEMBLY
Minimal assembly required. Instructions provided.

Y●N○

MAYFIELD LIGHTING ©

LOCATE
22 Viewtech PL, Rowville
Victoria, AUS 3178

CONNECT
+61 (3) 9755 7244
mayfieldlighting.com.au

ENQUIRE
sales@mayfieldlighting.com.au
[Enquiry Form](#)